



APPLICATIONS :

Extraction of oil from degreasing solutions

Extraction of oil from soluble cutting oils



France

SIEBEC SAS
9 rue des platanes
ZAC Vence Ecoparc
38120 SAINT-ÉGRÈVE
Tél. : 33 (0)4 76 26 12 09
Fax : 33 (0)4 76 27 04 82

www.siebec.com

England

SIEBEC UK Ltd
Unit 3 - ST.Alban's BusinessPark
ST. ALBAN'S RD
STAFFORD - ST16 3DR
Ph. : +44 (0)1 785 227 700
Fax : +44 (0)1 785 246 006





SIEBEC oil extractors are made of :

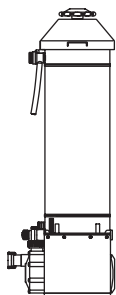
- a polypropylene filter body fitted with a fastopening lid
- a removable polypropylene micro-fibre canister (capacity 11.6 liters)
- a centrifugal pump with magnetic drive
- a pressure-gauge indicating the clogging-up of the cartridge

The unit is made of polypropylene and can be used without risk on acid or basic solutions up to 60°C. The gaskets on the pump and filter are made of FPM.

The canister is filled with 100% polypropylene microfibres. It is also fitted with a 50 μ filtration cartridge to be replaced when you change microfibres themselves. Microfibres show an outstanding adsorption area and remove a lot of oil : 700 g microfibres will retain 6 liters oil. They are hydrophobic, can be compacted and incinerated. No need to pay a particular attention to storage conditions, humidity or use-by date.



OIL EXTRACTORS H50 - H51



Oil extractor H50

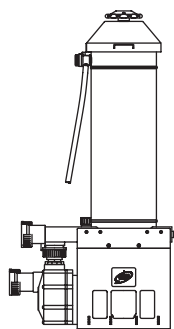
Technical features

- Pump model *M50*
- Maximum output *4 m³/h*
- Filtering element *1 polypropylene microfibres canister*
11.6 liters

DIMENSIONS



CURVES

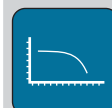
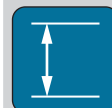


Oil extractor H51

Technical features

- Pump model *M100*
- Maximum output *9 m³/h*
- Filtering element *1 polypropylene microfibres canister*
11.6 liters

DIMENSIONS



CURVES



OIL EXTRACTOR H50-H51

An easy and economic way of removing oil



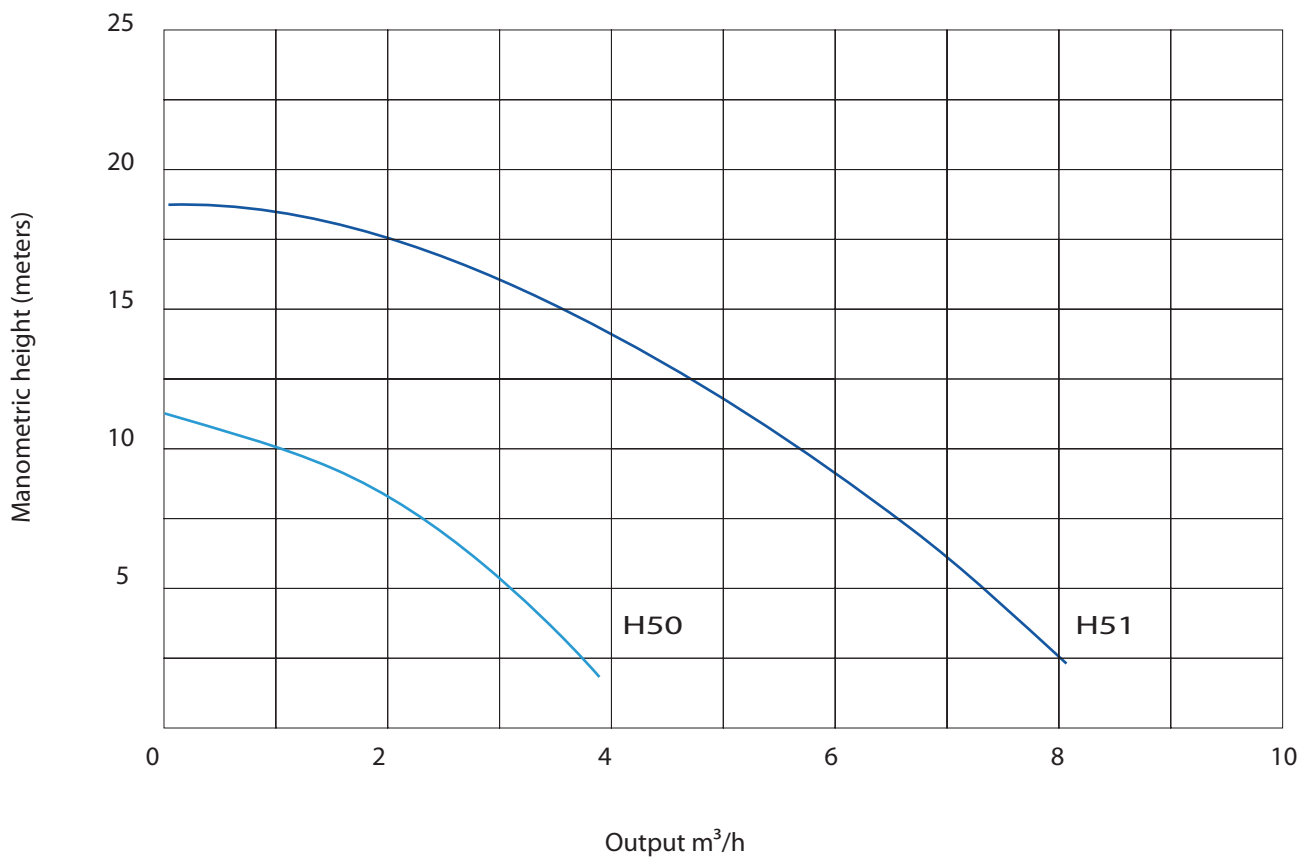
PP microfibrils





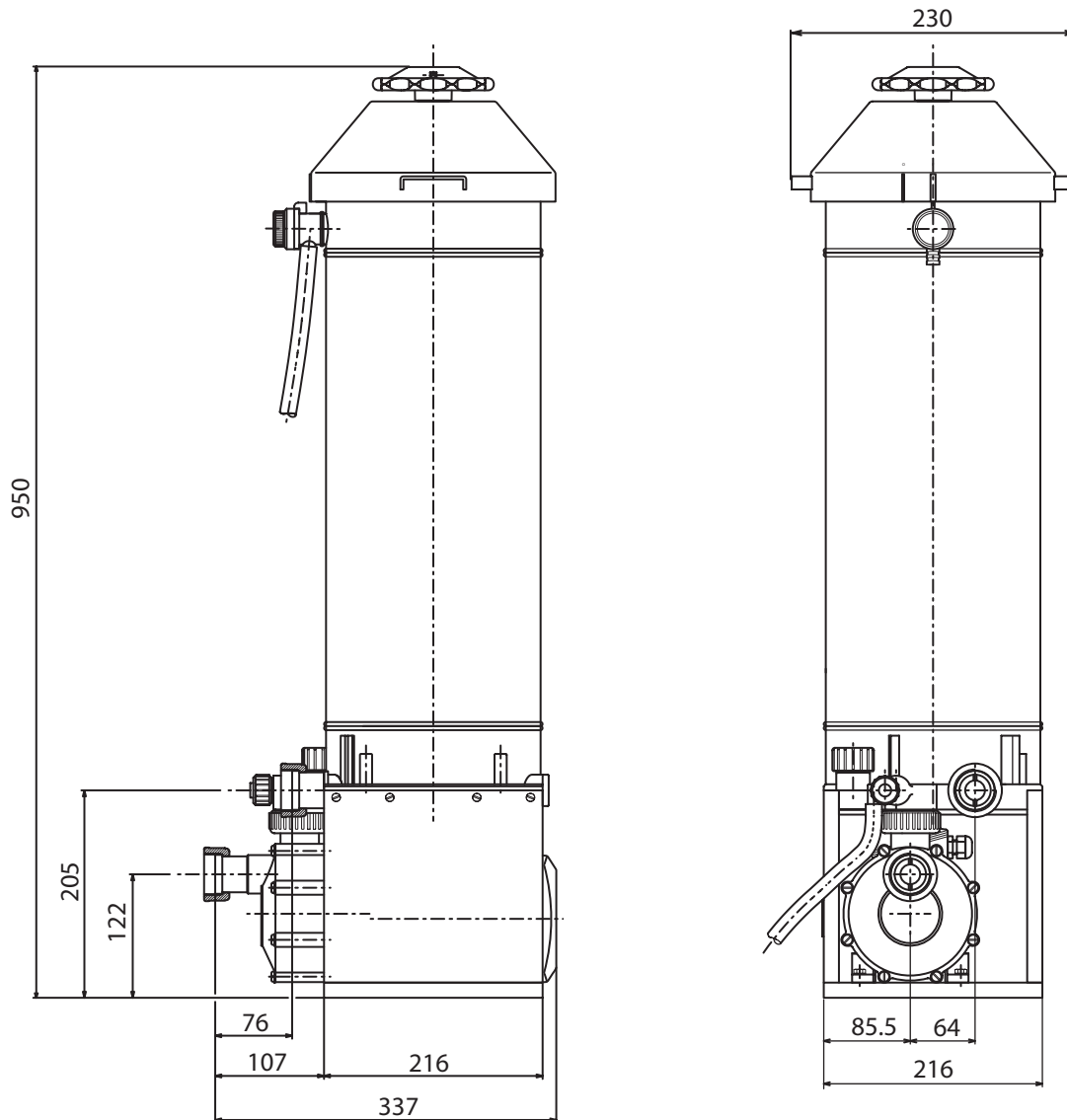
OIL EXTRACTOR H50 - H51

- *Manometric height (meters)*
- *Output m^3/h*



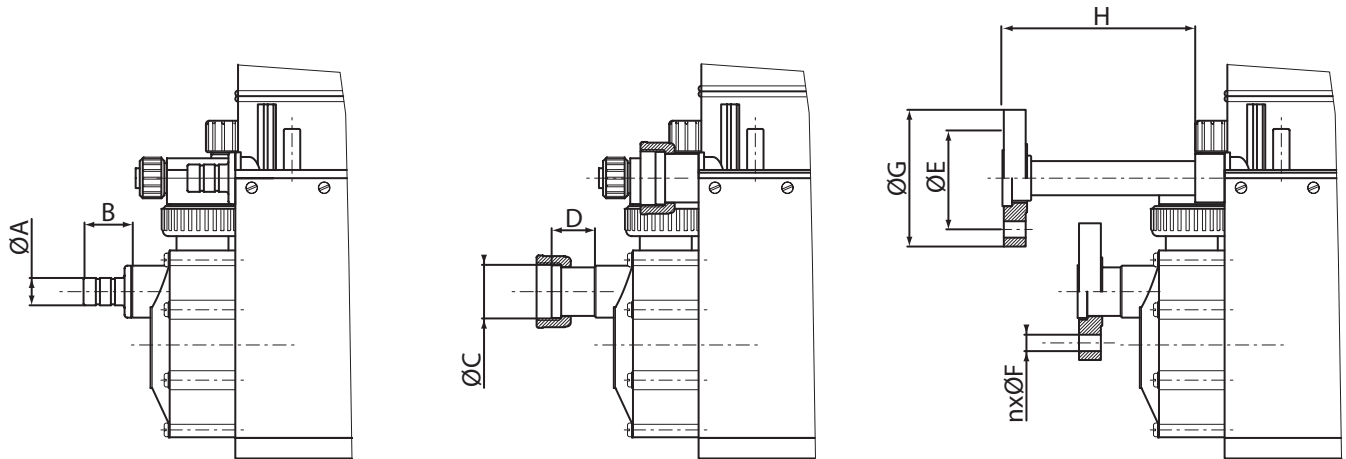


OIL EXTRACTOR H50





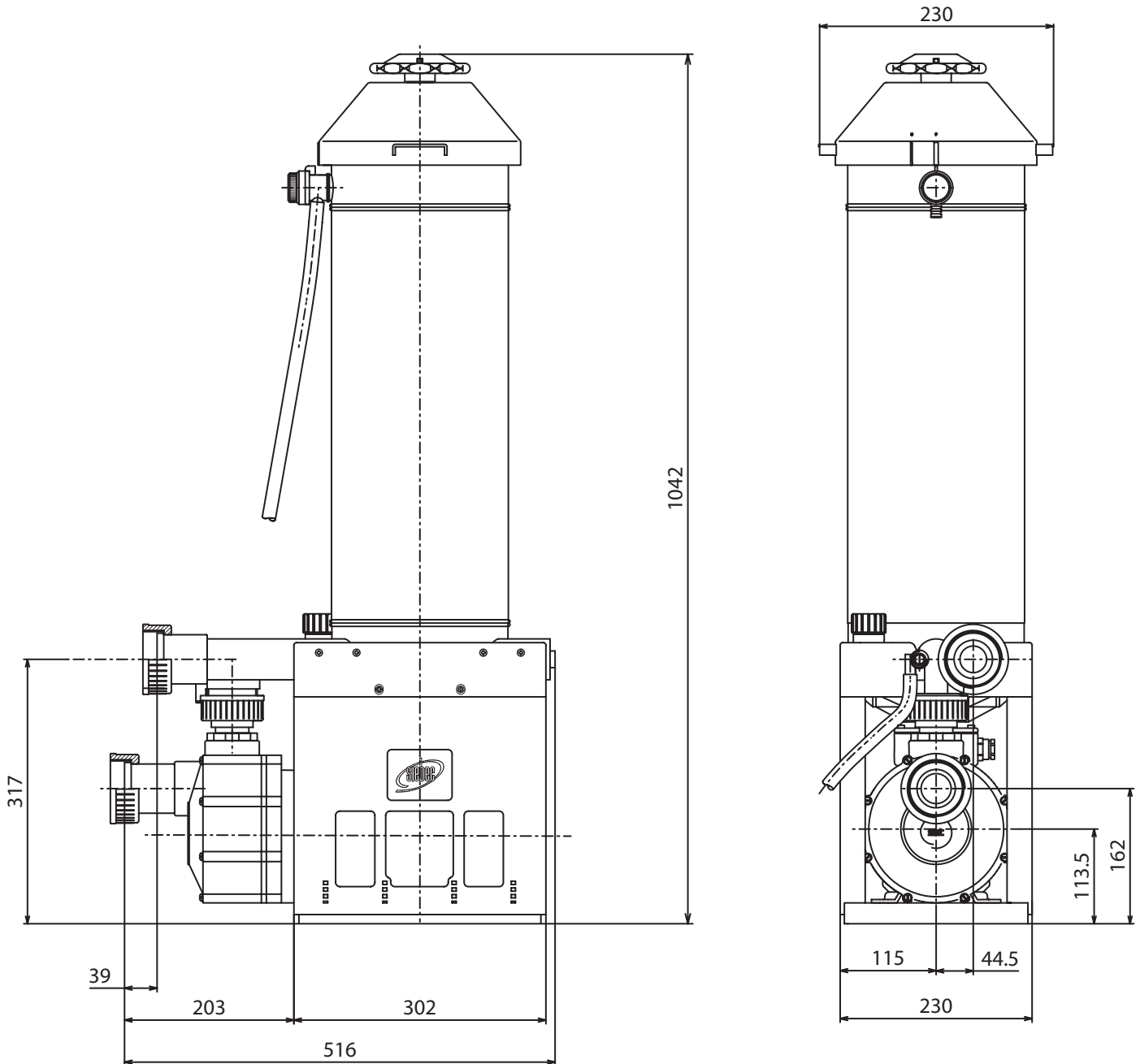
CONNECTIONS OIL EXTRACTOR H50



Type of pump		Grooved nozzle	Union nut	Flange
		ØA - B	ØC (DN) - D	ØG - ØE - nxØF - H
M50	<i>pump inlet</i>	25 - 35	G1"1/2 - DN20 - 30	100 - 75 - 4x12 - 31.5
	<i>oil extractor outlet</i>	25 - 35	G1"1/2 - DN20 - 30	100 - 75 - 4x12 - 140

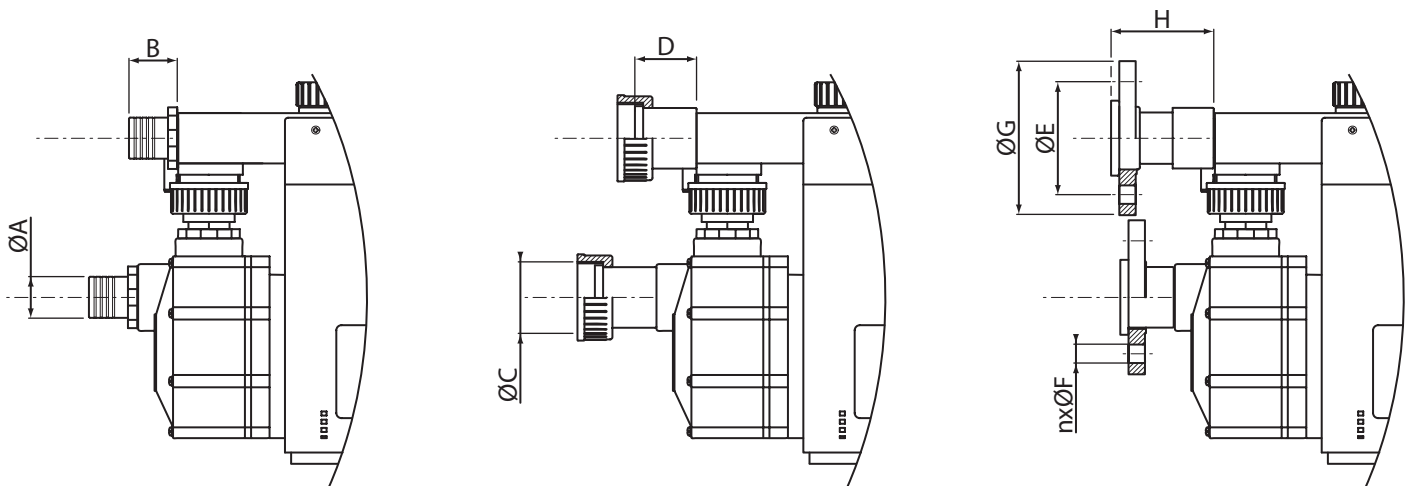


OIL EXTRACTOR H51





CONNECTIONS OIL EXTRACTOR H51



Type of pump		Grooved nozzle	Union nut	Flange
		ØA - B	ØC (DN) - D	ØG - ØE - nxØF - H
M100	<i> pump inlet</i>	40 - 47	G2"1/4 - DN40 - 60	150 - 110 - 4x18 - 60
	<i> oil extractor outlet</i>	40 - 47	G2"1/4 - DN40 - 60	150 - 110 - 4x18 - 60