



#### APPLICATIONS :

**filtration de bains de galvanoplastie**  
**Filtering average volumes (500 to 3,000 liters) of galvanoplasty electrolytes (Nickel, Zinc, Copper, Chrome ...)**

- **Filtering chemicals on process or before packaging**
- **Pharmaceutical industry**
- **Fish farming**

#### France

SIEBEC SAS  
 9 rue des platanes  
 ZAC Vence Ecoparc  
 38120 SAINT-ÉGRÈVE  
 Tél. : 33 (0)4 76 26 12 09  
 Fax : 33 (0)4 76 27 04 82

[www.siebec.com](http://www.siebec.com)

#### England

SIEBEC UK Ltd  
 Unit 3 - ST.Alban's BusinessPark  
 ST. ALBAN'S RD  
 STAFFORD - ST16 3DR  
 Ph. : +44 (0)1 785 227 700  
 Fax : +44 (0)1 785 246 006





## **Made of injected plastic (Polypropylene ou PVDF)**

High resistance to acids and bases  
Max. fluid temperature = 80°C (PP), 110°C (PVDF)

## **Filtration on L-TECH pleated cartridges**

Washable cartridges with a very large filtering area (up to 10 m<sup>2</sup>),  
low operating costs, filter gauge from 50 to 2 micron

## **Choice of optional, interchangeable filtration systems**

FFiltration on paper with 20 to 96 plates dia. 195 mm  
Filtration on 7 wound or spun-bonded cartridges of 10" / 20" / 30"  
Filter gauge from 50 to 1 micron

## **Choice of magnetic or mechanical drive pump**

Flow rate from 1.5 to 18 m<sup>3</sup>/h

## **Modular design**

Very high capacity double chamber version

## **Version with dissolving tank**

Allows the addition of additives or the use of filtration agents and activated carbon powder

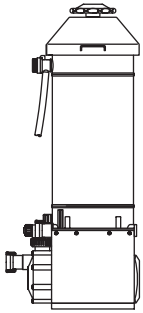
## **Option of activated carbon canister interchangeable with L-TECH cartridges**

Treatment with activated carbon granulates





## L filter range



L20 - L30 - L50 filters

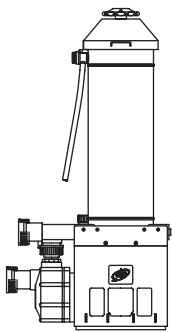
### Technical features

- Pump models *M15-M50-M70*
- Max. output *from 1.5 m<sup>3</sup>/h to 5 m<sup>3</sup>/h*
- Filtering element *from 20 to 64 thin plates (0.45 to 1.44 m<sup>2</sup>)*  
*7 spun-bonded cartridges 10" or 20"*  
*1 L TECH cartridge 10" or 20" (2.5 to 5 m<sup>2</sup>)*  
*1 activated carbon canister (5.8 to 11.6 l)*

DIMENSIONS



CURVES



L31 - L51 - L81 filters

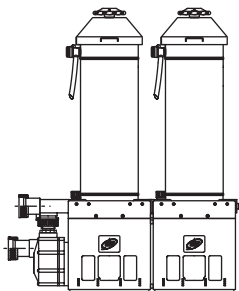
### Technical features

- Pump models *M100-M140-M200-M250*
- Max. output *from 9 m<sup>3</sup>/h to 18 m<sup>3</sup>/h*
- Filtering element *from 32 to 96 thin plates (0.72 to 2.16 m<sup>2</sup>)*  
*7 spun-bonded cartridges 10", 20" or 30"*  
*1 LTECH cartridge 10" or 20" (2.5 to 5 m<sup>2</sup>)*  
*1 activated carbon canister (5.8 to 17.3 l)*

DIMENSIONS



CURVES

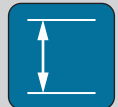


L52 - L82 filters

### Technical features

- Pump model *M140 - M200 - M250*
- Max. output *from 11 m<sup>3</sup>/h to 18 m<sup>3</sup>/h*
- Filtering element *2 x 64 or 96 thin plates (2 x 1.44 or 2 x 2.16 m<sup>2</sup>)*  
*2 x 7 spun-bonded cartridges 20" or 30"*  
*2 LTECH cartridges 20" (2 x 5 m<sup>2</sup>)*  
*2 activated carbon canisters (2 x 11.6 or 17.3 l)*

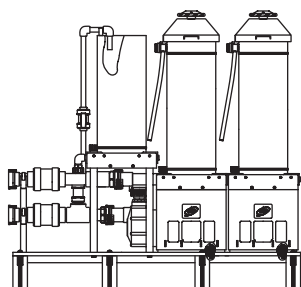
DIMENSIONS



CURVES



## L filter range

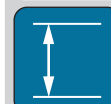


L58 - L88 filters

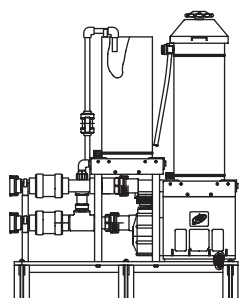
### Technical features

- Pump model *M140 - M200 - M250*
- Max. output *from 11 m<sup>3</sup>/h to 18 m<sup>3</sup>/h*
- Filtering element *2 x 64 or 96 thin plates (2 x 1.44 or 2 x 2.16 m<sup>2</sup>)*  
*2 x 7 spun-bonded cartridges 20" or 30"*  
*2 LTECH cartridges 20" (2 x 5 m<sup>2</sup>)*  
*2 active carbon canisters (2 x 11.6 or 17.3 l)*  
*16 liters pre-coat tank*

DIMENSIONS



CURVES

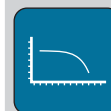
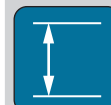


L59 - L89 filters

### Technical features

- Pump model *M140 - M200 - M250*
- Max. output *from 11 m<sup>3</sup>/h to 18 m<sup>3</sup>/h*
- Filtering element *from 64 to 96 thin plates (1.44 to 2.16 m<sup>2</sup>)*  
*7 spun-bonded cartridges 20" or 30"*  
*1 LTECH cartridge 20" (5 m<sup>2</sup>)*  
*1 active carbon canister (11.6 or 17.3 l)*  
*16 liters pre-coat tank*

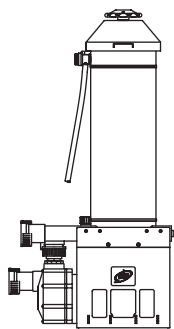
DIMENSIONS



CURVES



## L filter range

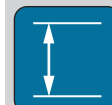


L31 - L51 PVDF filters

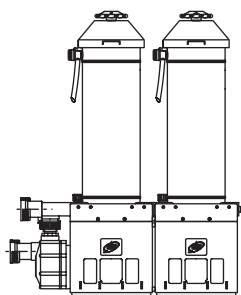
### Technical features

- Pump models *M100-M140-M200-M250*
- Max. output *from 9 m<sup>3</sup>/h to 18 m<sup>3</sup>/h*
- Filtering element *from 32 to 64 thin plates (0.72 to 1.44 m<sup>2</sup>)*  
*7 glass fiber cartridges 10" or 20"*

DIMENSIONS



CURVES



L52 PVDF filters

### Technical features

- Pump model *M140 - M200 - M250*
- Max. output *from 11 m<sup>3</sup>/h to 18 m<sup>3</sup>/h*
- Filtering element *2 x 64 thin plates (2 x 1.44 m<sup>2</sup>)*  
*2 x 7 glass fiber cartridges 20"*

DIMENSIONS



CURVES



## Filtering elements



Washable cartridge with a very large filtering area (5 m<sup>2</sup>), low operating costs, filter gauge from 50 to 2 micron

Activated carbon canister interchangeable with the L-TECH cartridge



Filtration on 7 wound or spun-bonded cartridges of 10" / 20" / 30"  
Filter gauge from 50 to 1 micron

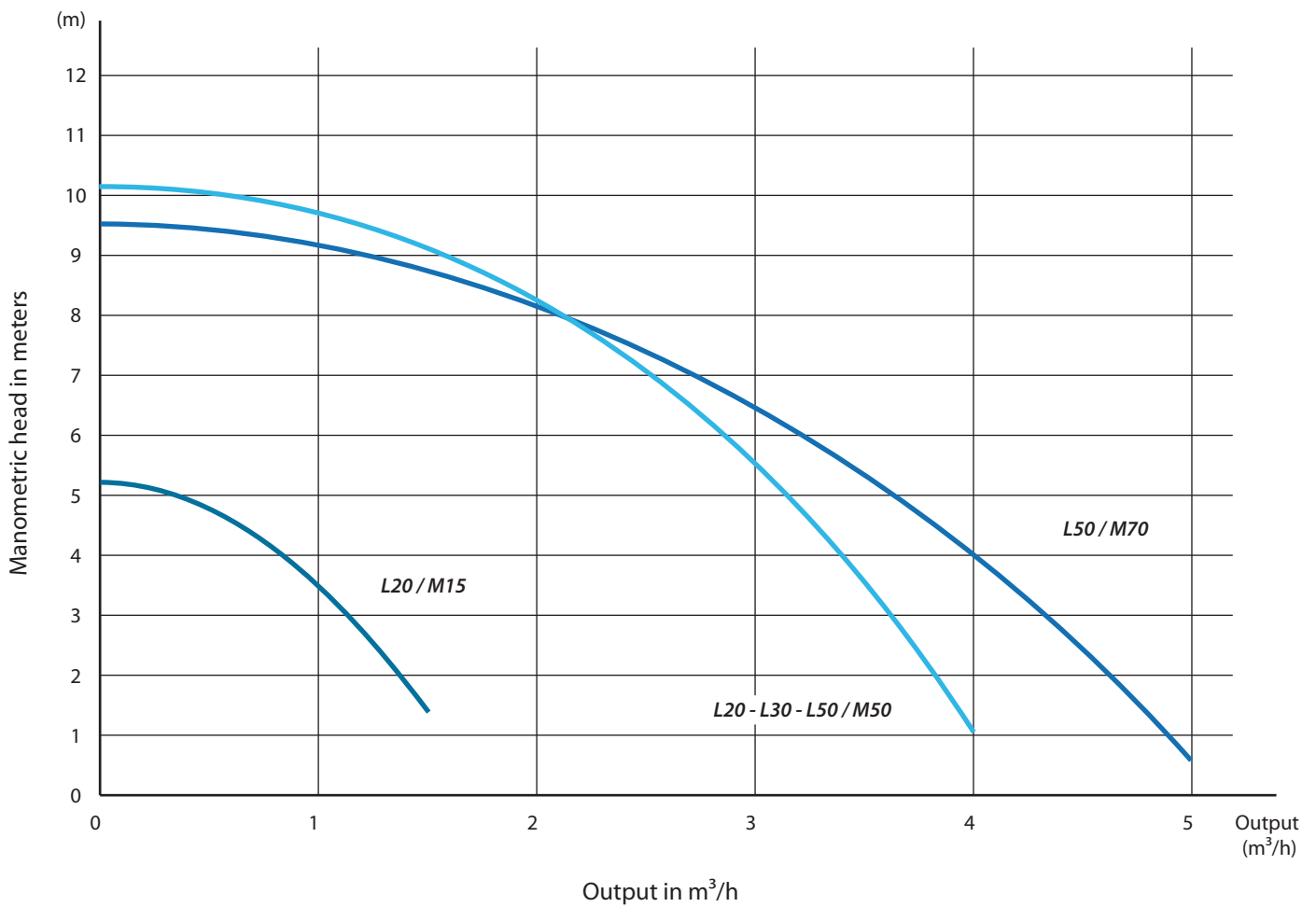
Filtration on paper with 20 to 96 plates dia. 195 mm 0.45 à 2.16 m<sup>2</sup>





## L20 to L50 filters

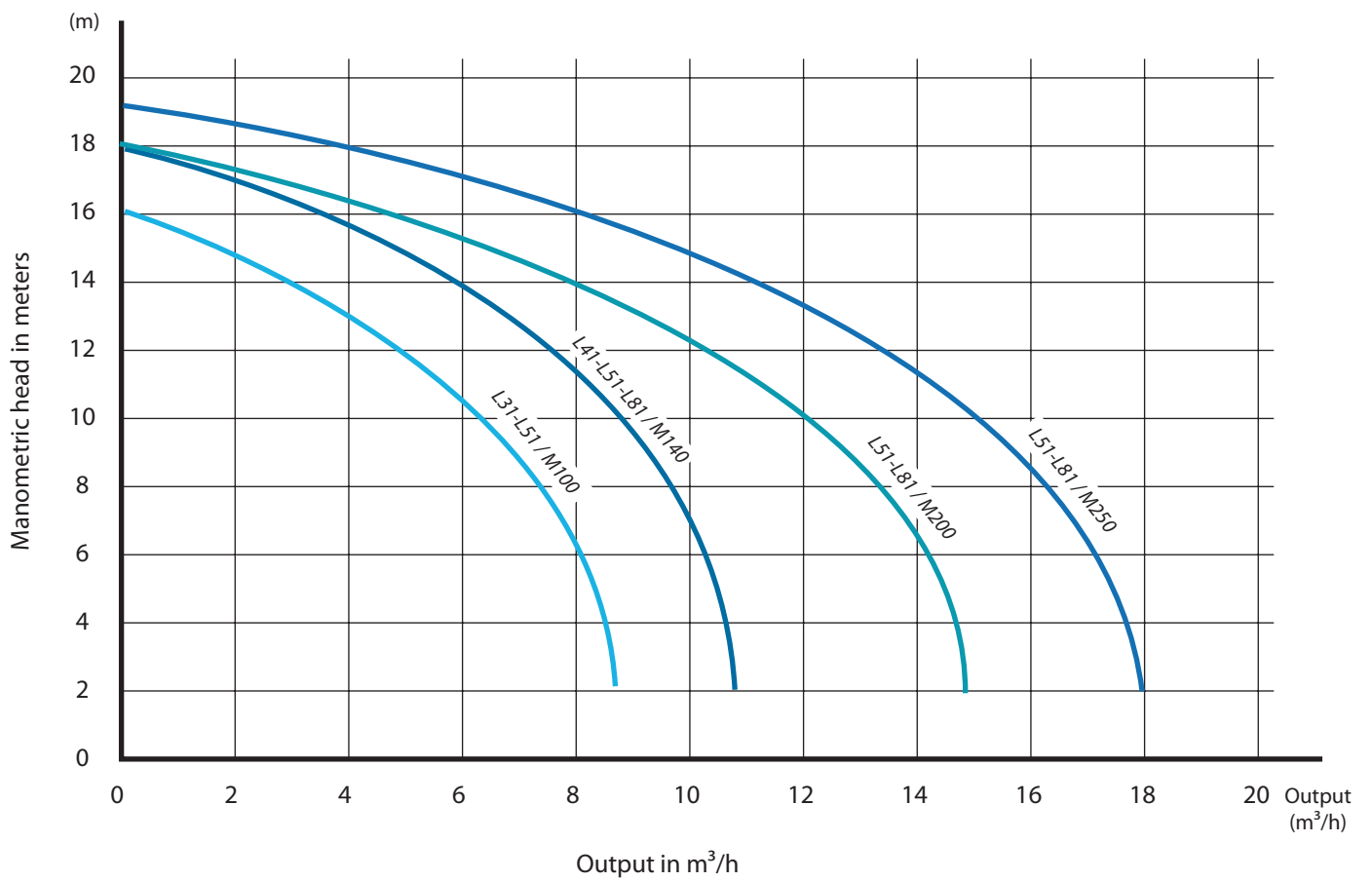
- Manometric head in meters
- Output in  $m^3/h$





## L31 to L81 filters

- Manometric head in meters
- Output in  $m^3/h$

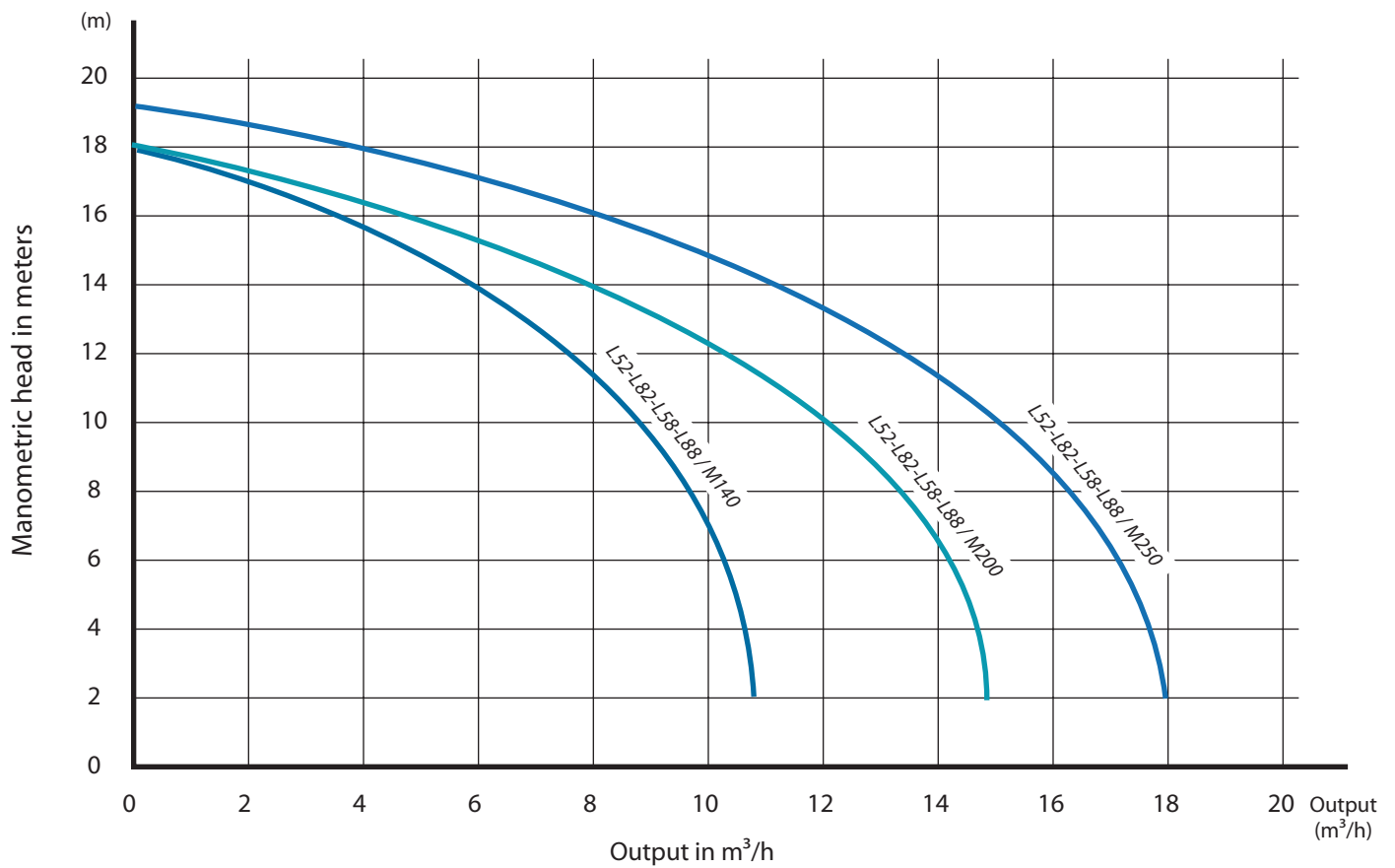






## L52 -L58-L82-L88 filters

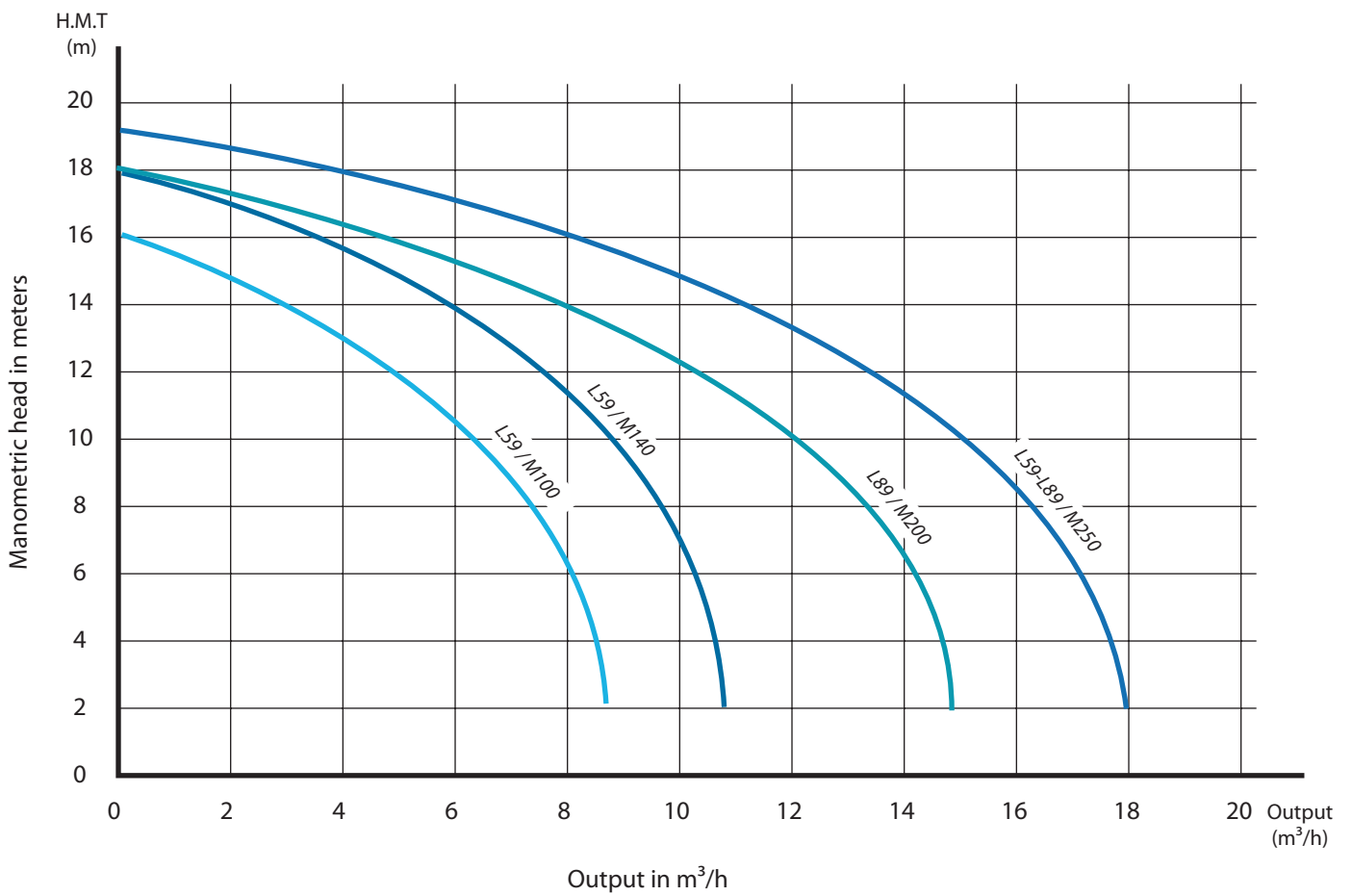
- Manometric head in meters
- Output in  $m^3/h$





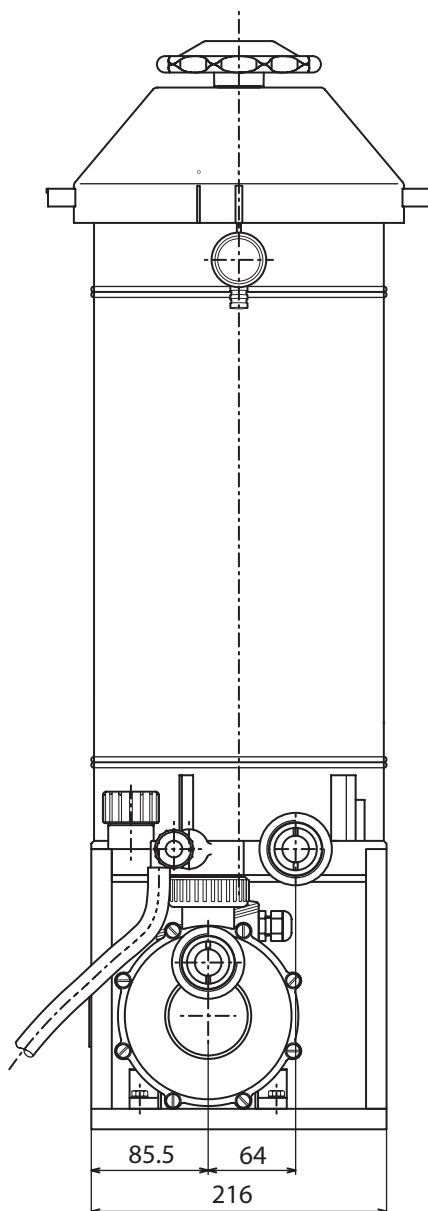
## L59 to L89 filters

- Manometric head in meters
- Output in  $m^3/h$



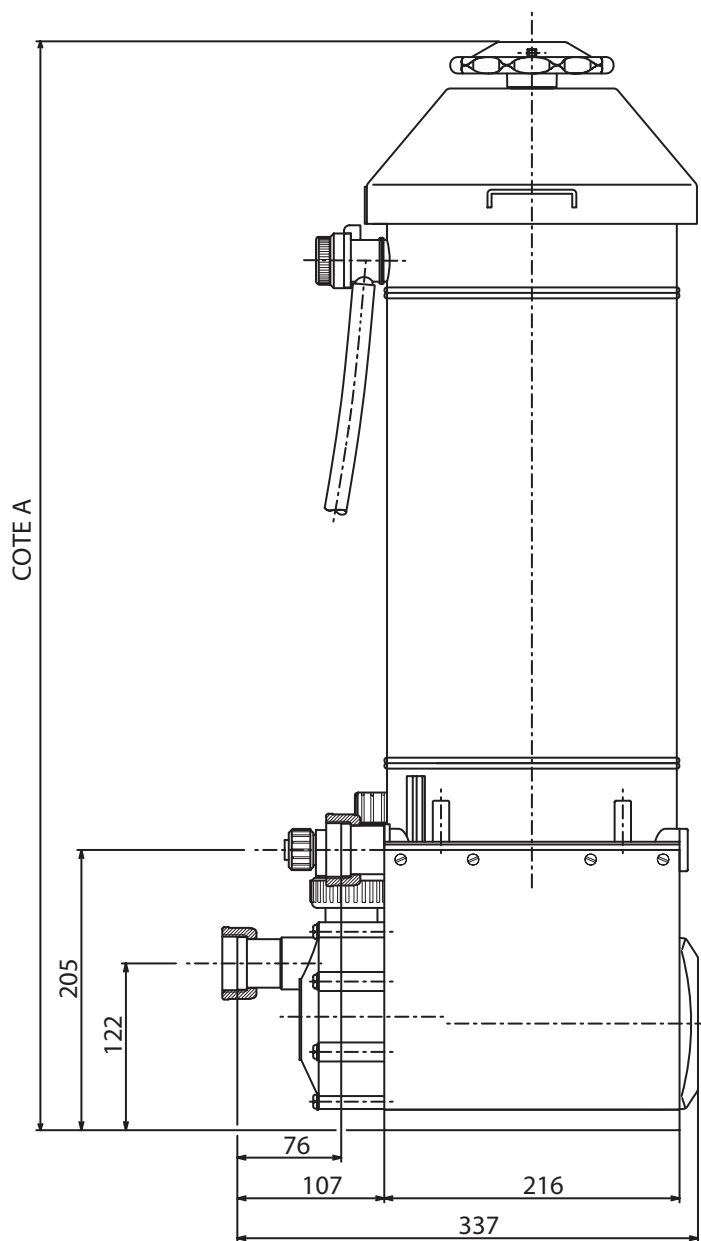


## Filters L20 to L50





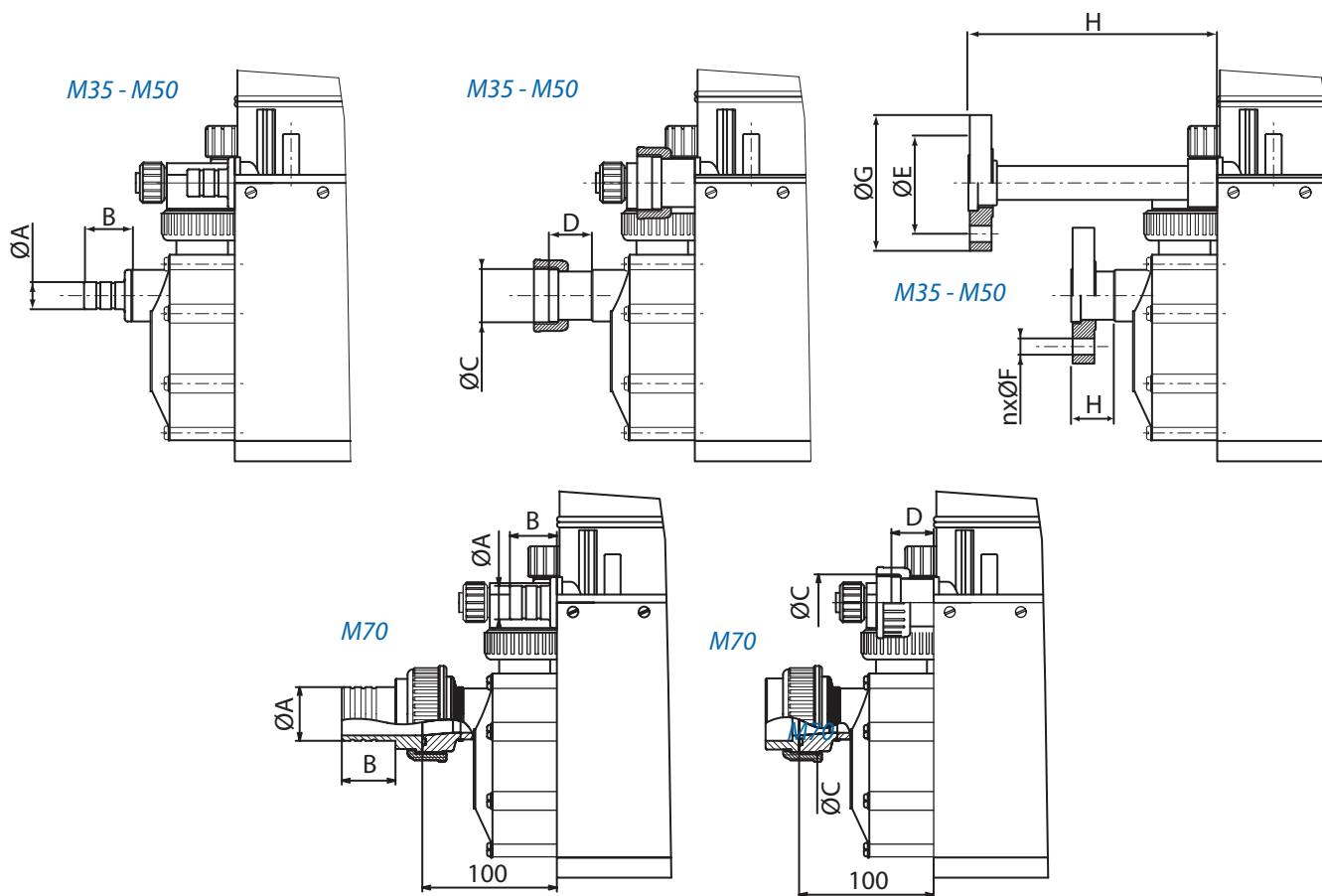
## Filters L20 to L50



Filter model	Size A
L20	600 mm
L30	696 mm
L50	950 mm



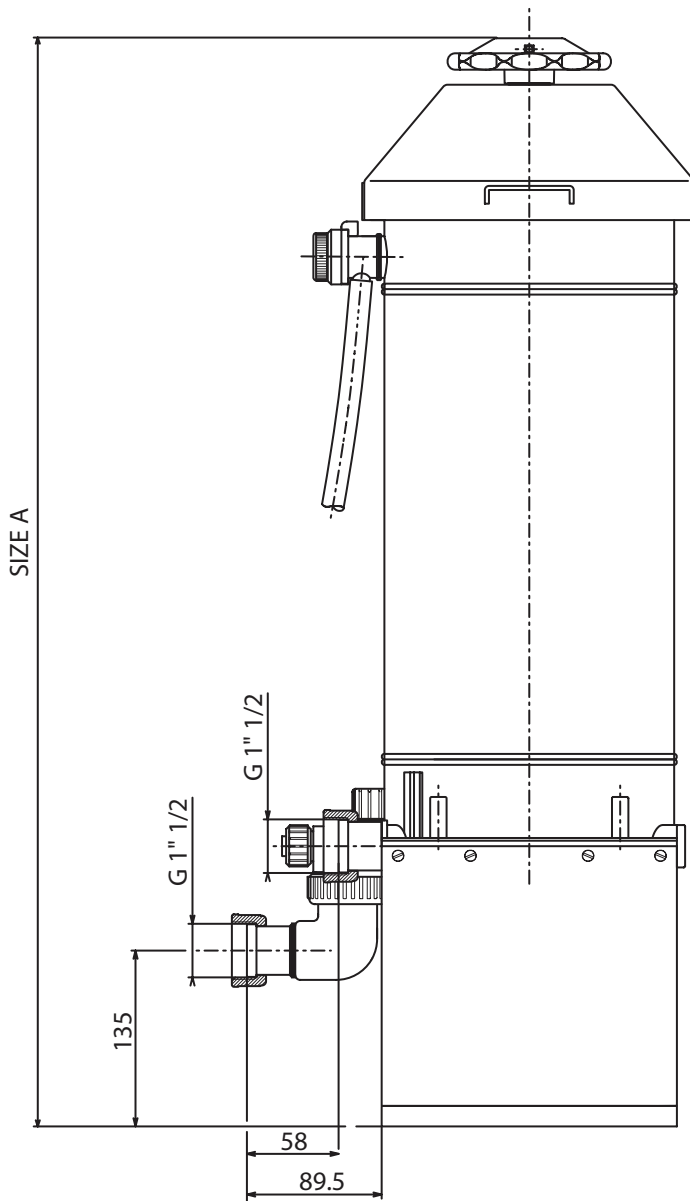
## Filters L20 to L50



Pump models		Grooved nozzle ØA - B	Union nut ØC (DN) - D	Flange fitting ØG - ØE - nxØF - H
M35	<i>inlet</i>	20 - 35	G1"1/4 - DN20 - 31,5	100 - 75 - 4x14 - 31.5
	<i>outlet</i>	20 - 35	G1"1/4 - DN20 - 31,5	100 - 75 - 4x14 - 220
M50	<i>inlet</i>	25 - 35	G1"1/2 - DN25 - 31,5	100 - 75 - 4x14 - 31.5
	<i>outlet</i>	25 - 35	G1"1/2 - DN25 - 31,5	100 - 75 - 4x14 - 220
M70	<i>inlet</i>	40 - 60	G2" - DN32 - 54 male	-
	<i>outlet</i>	25 - 35	G1"1/2 - DN25 - 31,5	-



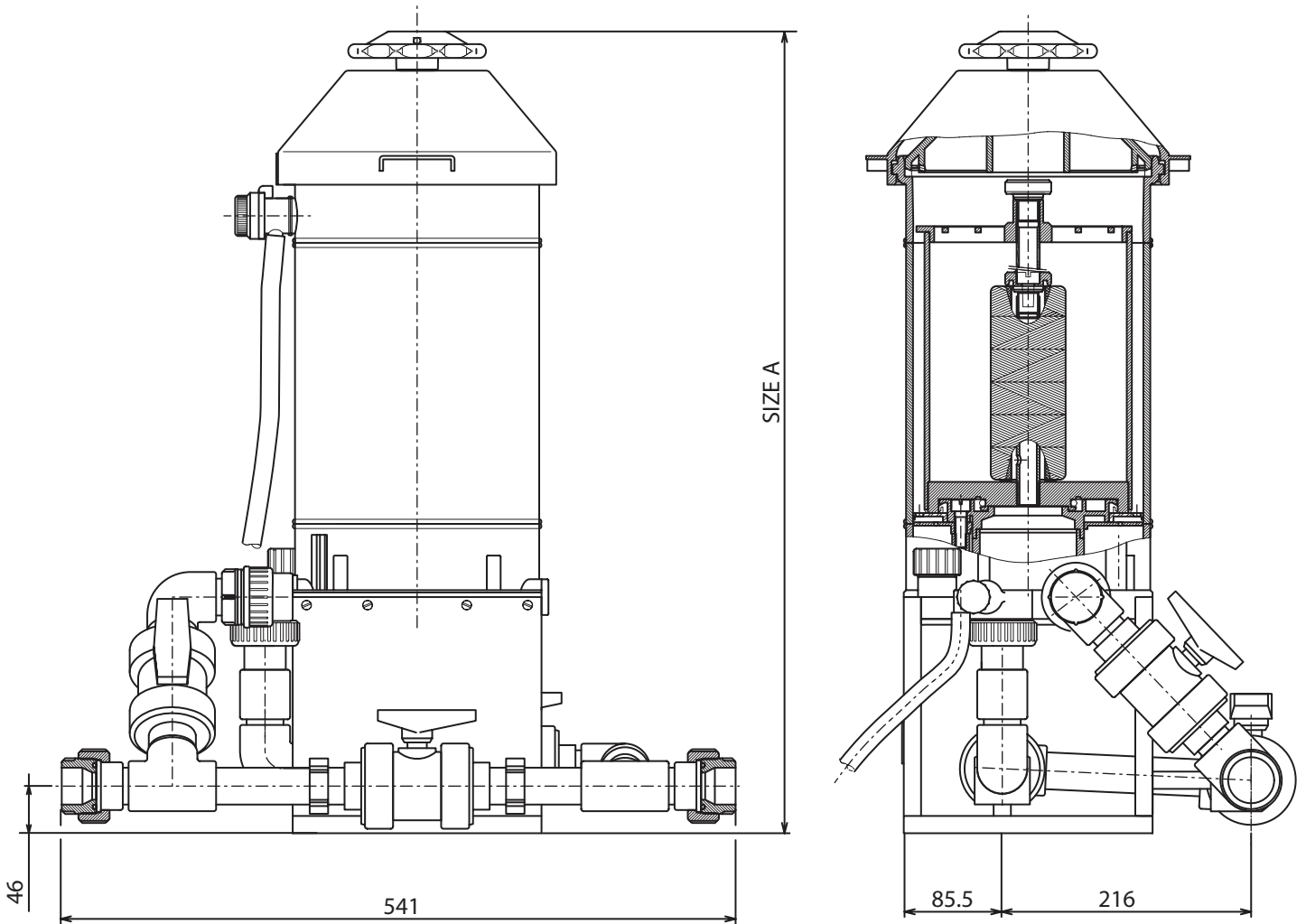
## Filters L30 & L50 without pump



Filter model	Size A
L30	696 mm
L50	950 mm



## Optional activated carbon piping for filters L30 & L50 without pump

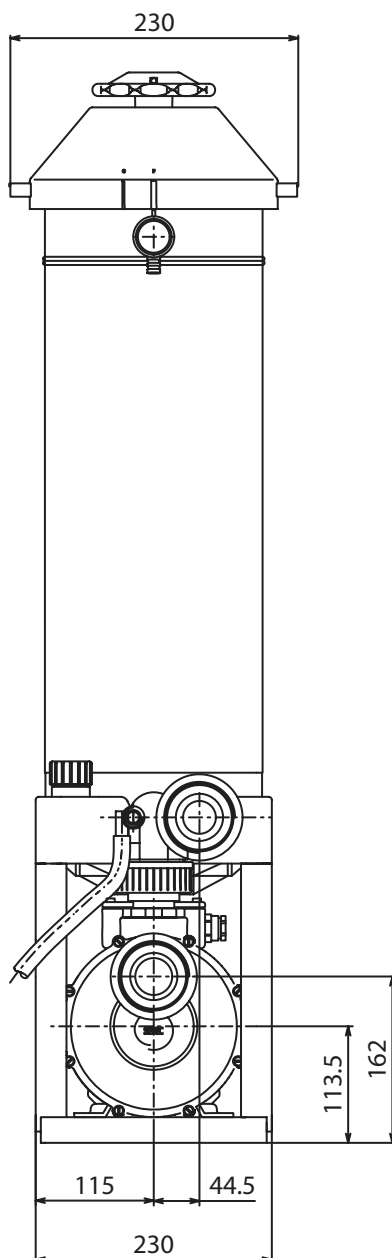


- ACTIVATED CARBON PIPING IN DN25
- BY-PASS PIPING IN DN32

Filter model	Size A
L30	696 mm
L50	950 mm



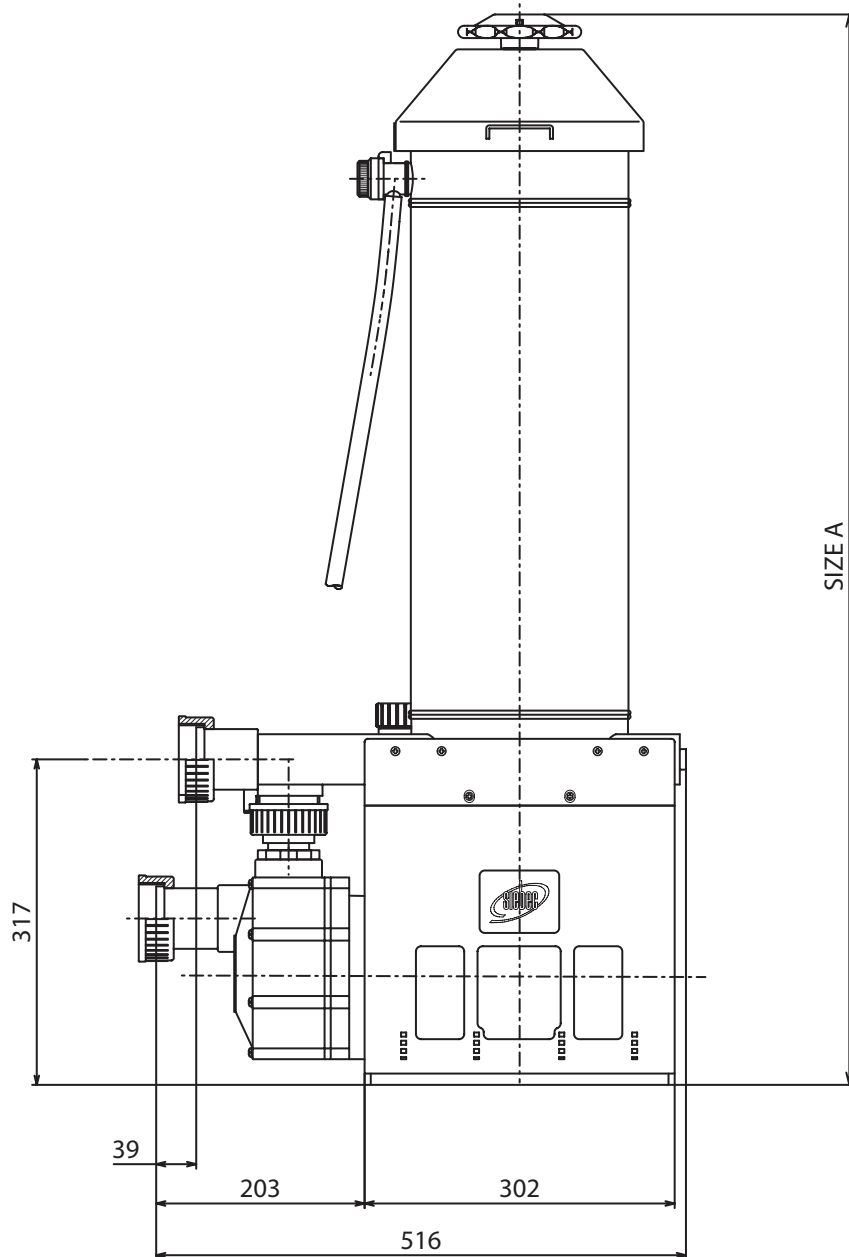
## Filtres L31 à L81







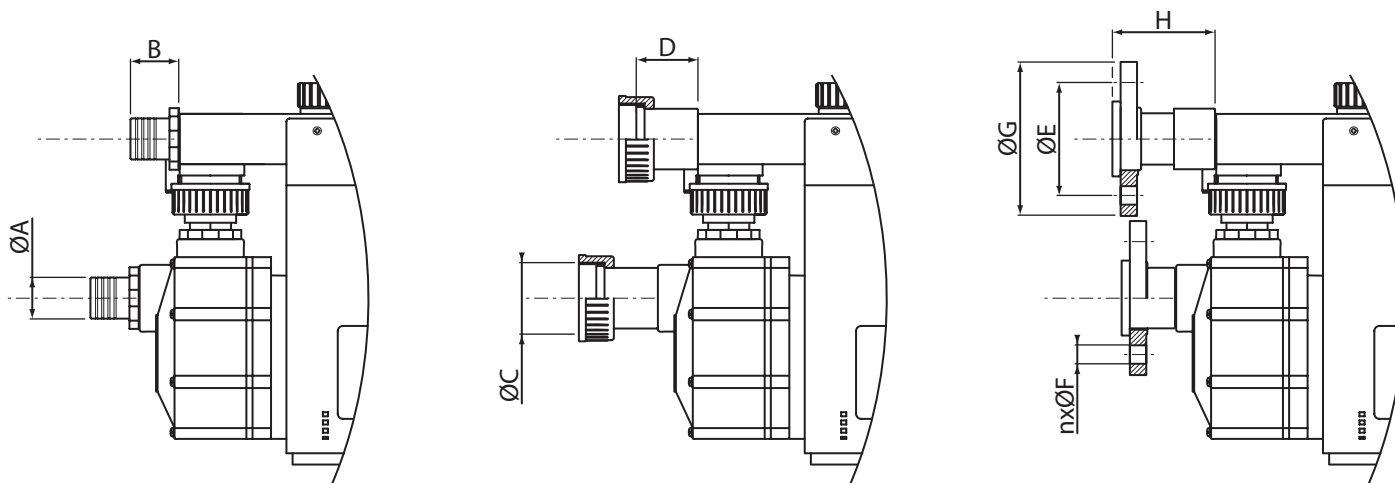
## Filters L31 to L81



Filter model	Size A
L31	788 mm
L41	908 mm
L51	1042 mm
L81	1296 mm



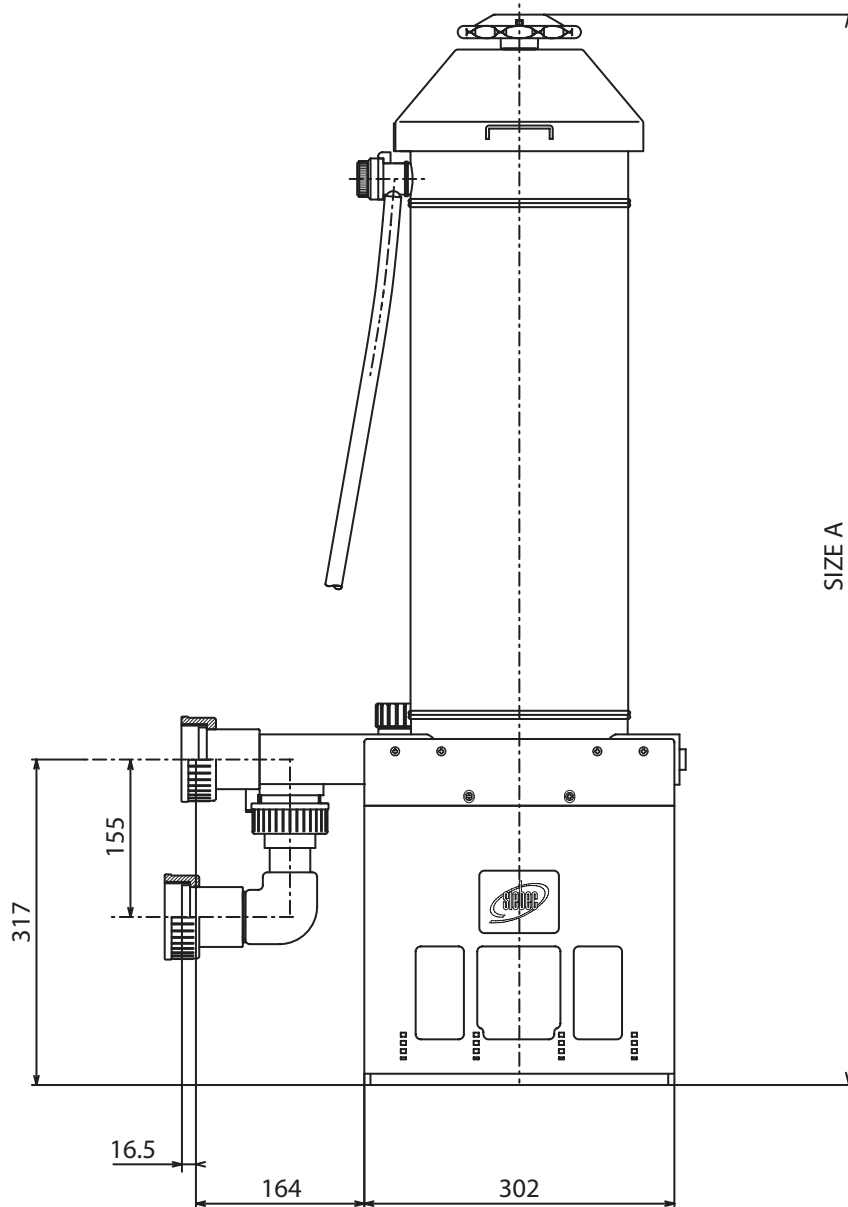
## Connections of filters L31 to L81



Pump model		Grooved nozzle	Union nut	Flange
		ØA - B	ØC (DN) - D	ØG - ØE - nxØF - H
M100 - M140	<i>inlet</i>	40 - 47	G2"1/4 - DN40 - 60	150 - 110 - 4x18 - 60
	<i>outlet</i>	40 - 47	G2"1/4 - DN40 - 60	150 - 110 - 4x18 - 60
M200-M250	<i>inlet</i>	50 - 55	G2"3/4 - DN50 - 60	165 - 125 - 4x18 - 60
	<i>outlet</i>	40 - 47	G2"1/4 - DN40 - 60	150 - 110 - 4x18 - 60
A18 - A19	<i>inlet</i>	40 - 47	G2"1/4 - DN40 - 60	150 - 110 - 4x18 - 60
	<i>outlet</i>	40 - 47	G2"1/4 - DN40 - 60	150 - 110 - 4x18 - 60



## Filters L31 to L81 without pump

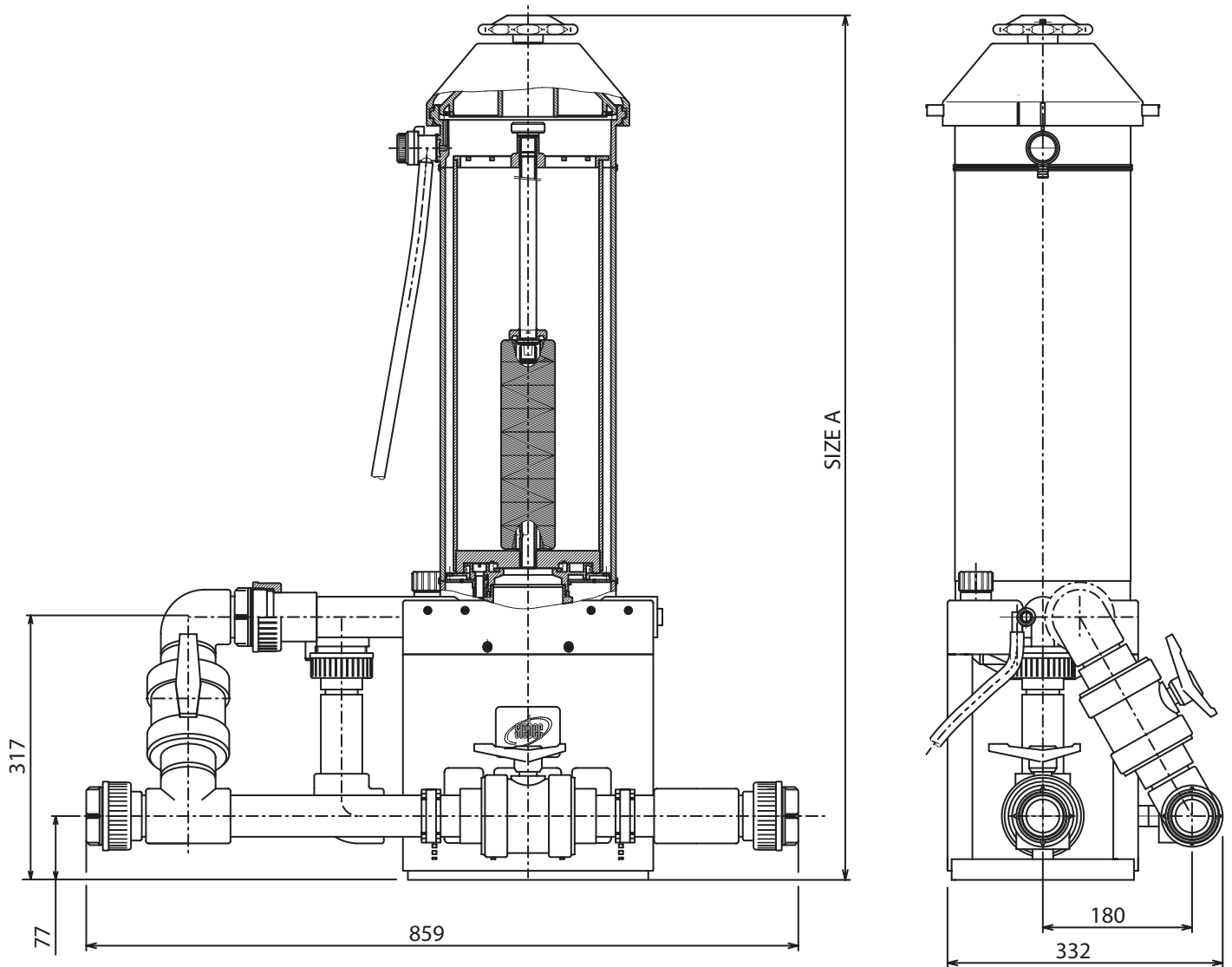


Filter model	Size A
L31	788 mm
L51	1042 mm
L81	1296 mm





## Optional activated carbon piping for filters L31 to L81 without pump

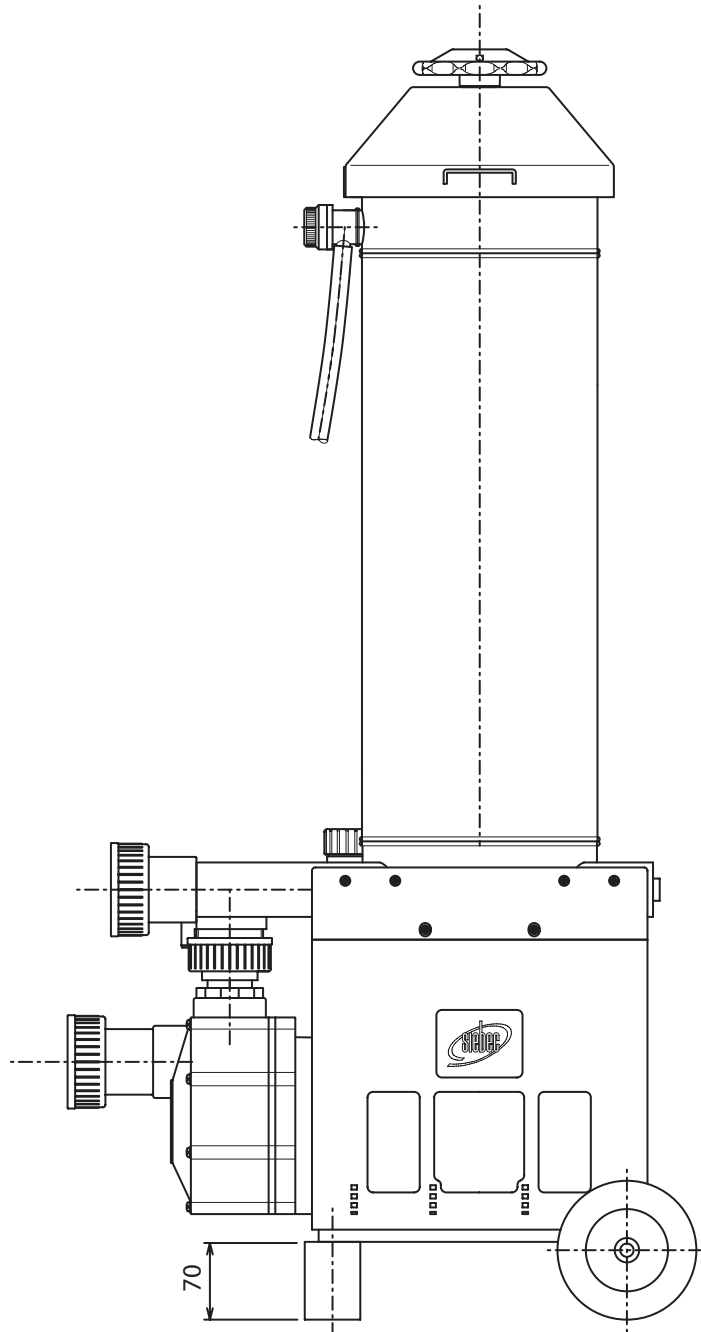


-ACTIVATED CARBON AND BY-PASS PIPING IN DN40

Filter model	Size A
L31	788 mm
L51	1042 mm
L81	1296 mm

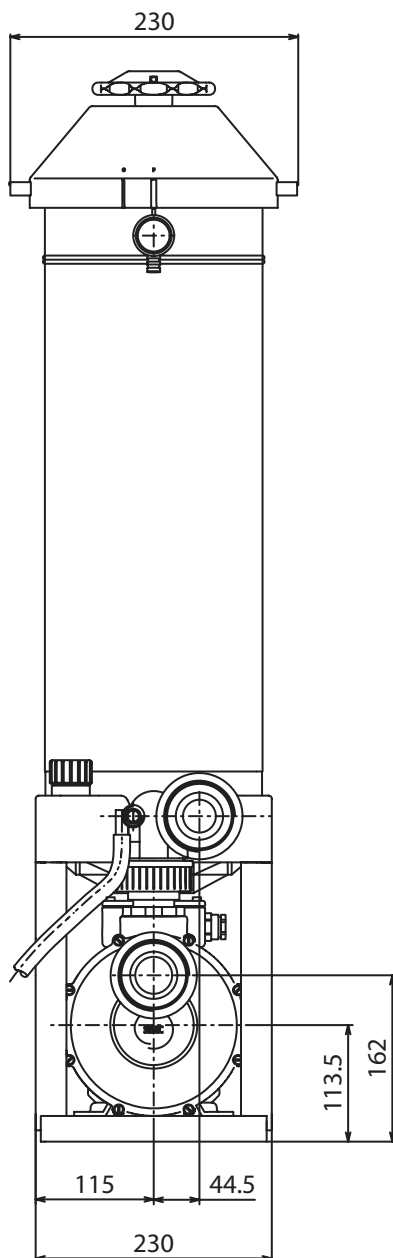


# Optional "easy move" kit for filters L31 to L81



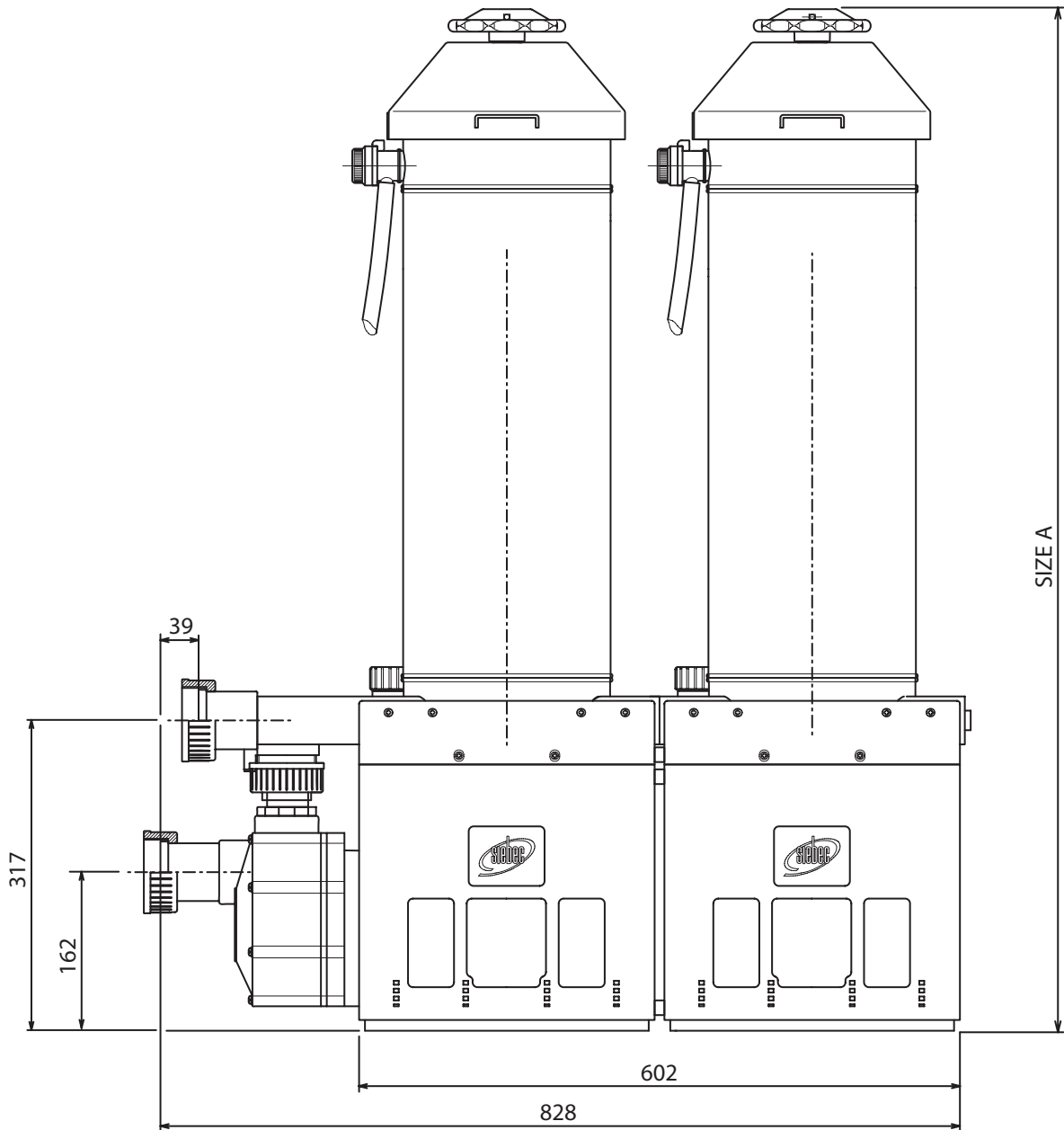


## Filters L52 & L82





# Filters L52 & L82



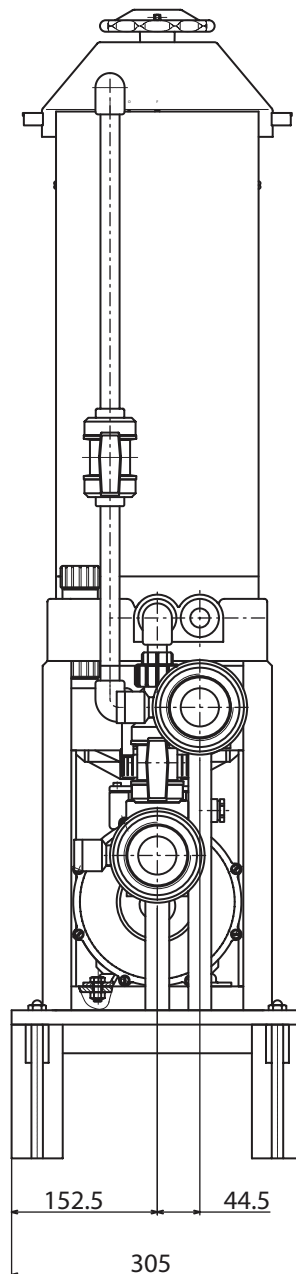
Pump model	M140	A19	M200 - M250
Inlet	G 2" 1/4	G 2" 1/4	G 2" 3/4
Outlet	G 2" 1/4	G 2" 1/4	G 2" 1/4

Filter model	Size A
L52	1042 mm
L82	1290 mm





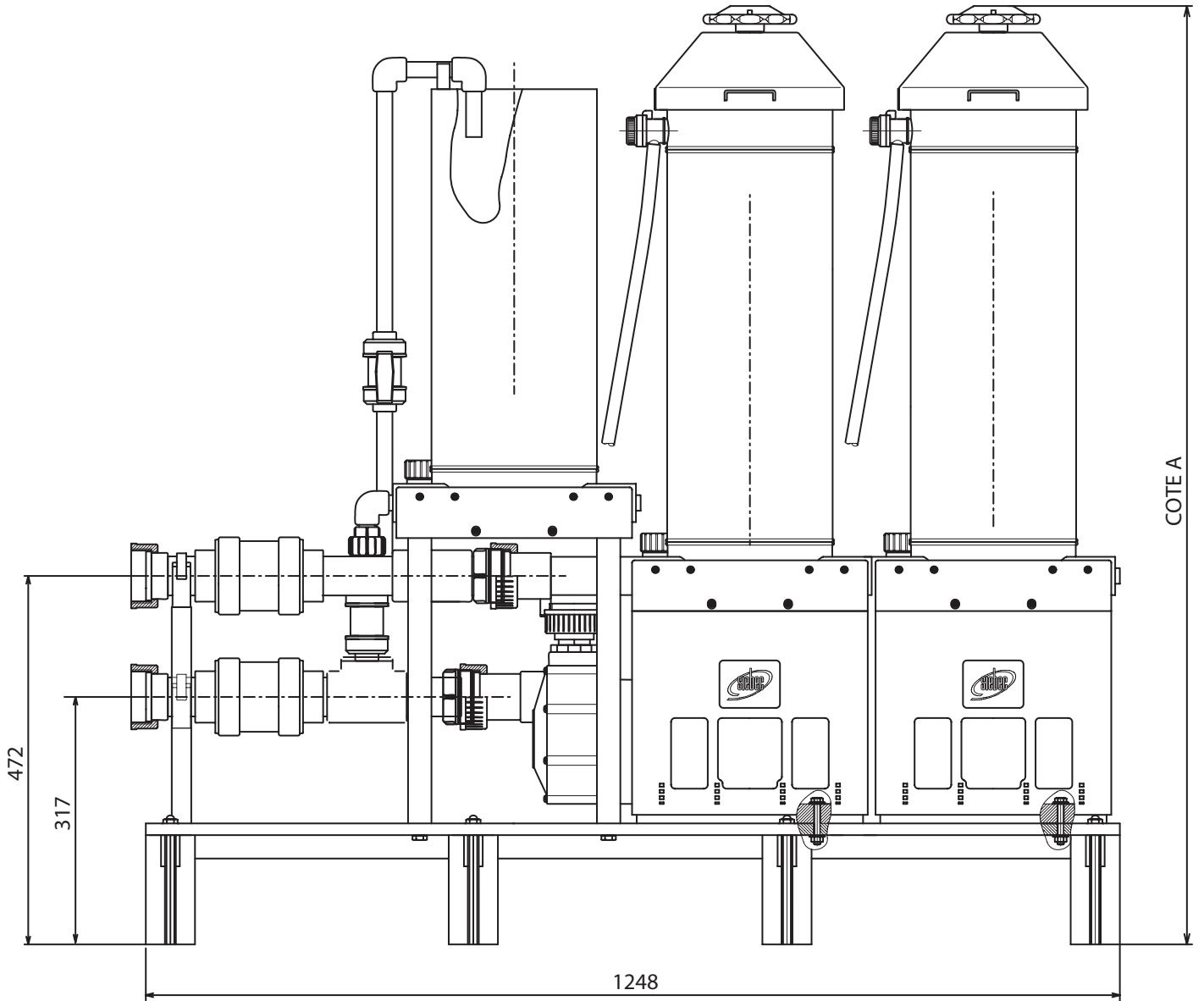
## Filters L58 & L88







# Filters L58 & L88



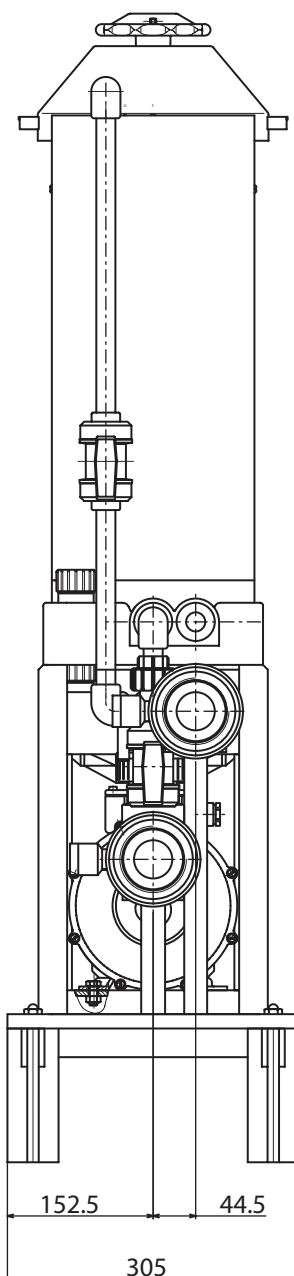
Pump model	M140	A19	M200-M250
<i>inlet</i>	G 2" 1/4	G 2" 1/4	G 2" 1/4
<i>outlet</i>	G 2" 1/4	G 2" 1/4	G 2" 1/4

Filter model	Size A
L58	1202 mm
L88	1456 mm



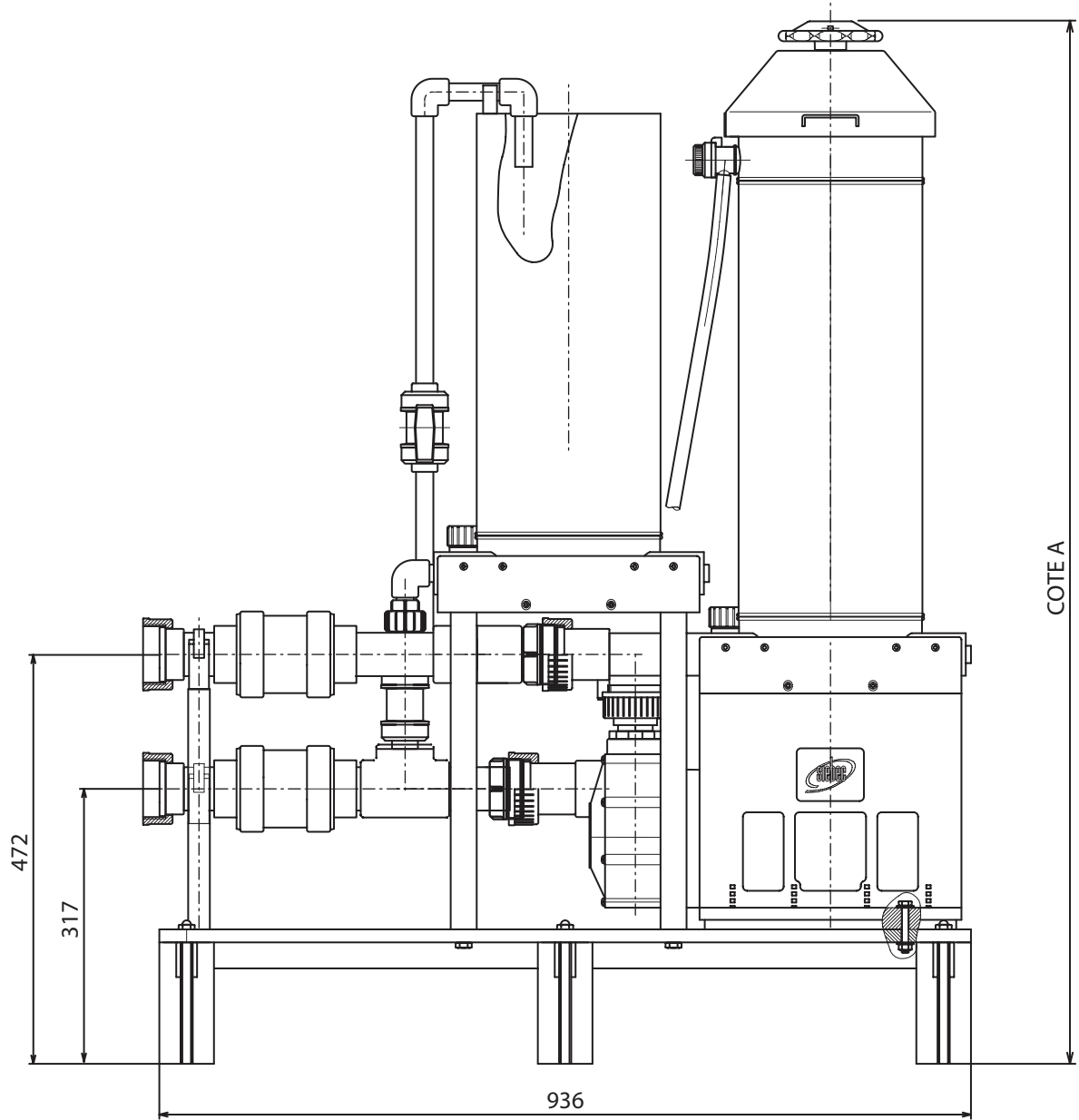


## Filters L59 & L89





# Filters L59 & L89



Pump model	M100-M140	A18-A19	M200-M250
inlet	G 2" 1/4	G 2" 1/4	G 2" 3/4
outlet	G 2" 1/4	G 2" 1/4	G 2" 1/4

Filter model	Size A
L59	1202mm
L89	1456 mm